

## OPERATING PROCEDURE FOR CONTACTLESS SANITIZER DISPENSER-COVCARE 2020

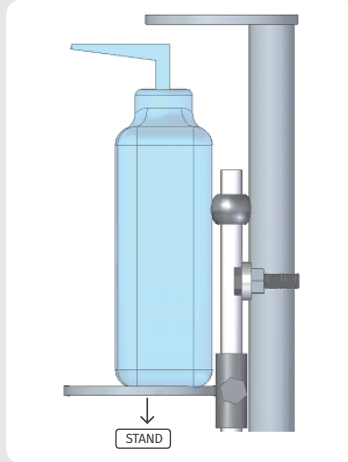
### OTHER INSTRUCTIONS

Any Size or Shape of dispenser with a capacity of 500 ml can be used in this product. Please do not use larger than this as it may cause the product to not function as desired.

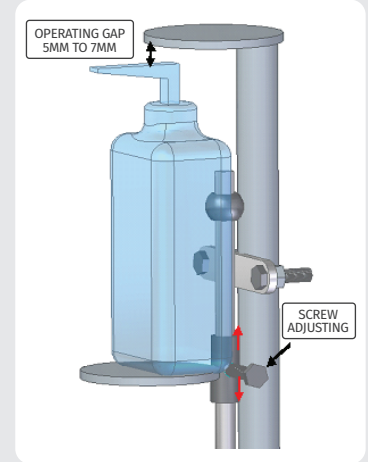
Dispensing Amount can be controlled by adjusting the gap between the dispenser and the top plate. Larger the gap, more effort and less sanitizer is dispensed. Smaller the gap, less effort but more sanitizer is dispensed.

The dispensing bottle should be handled by personnel only after proper personal hygiene is followed like washing hands and using hand gloves where possible to maintain the bottle germ free.

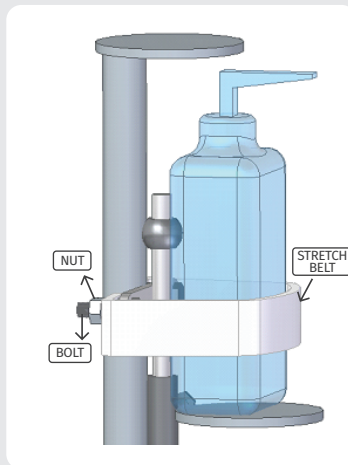
Children use of this should be supervised by an adult to ensure proper and optimal usage and avoidance of any injury with the moving parts.



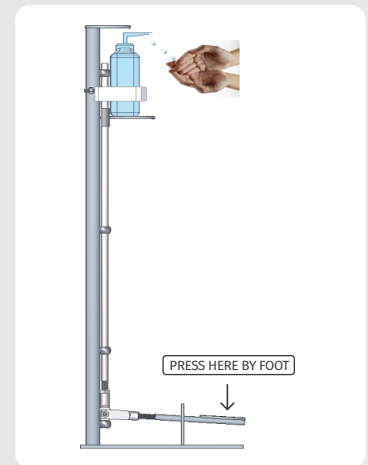
- 1** Place the sanitizer bottle on the stand as shown in the figure.



- 2** Set the Gap (5-7mm) by adjusting to bolt as shown.



- 3** Once gap is set, place the bottle and tie with stretchable belt.



- 4** Press paddle by foot, maintaining a safe distance between hand and sanitizer bottle.

This Contactless Sanitizer Dispenser is provided as is without any guarantees or warranty. In association with the product, SEE Linkages Pvt. Ltd. makes no warranties of any kind, either express or implied, including but not limited to warranties of merchantability, fitness for a particular purpose, of title, or of noninfringement of third party rights. Use of the product by a user is at the user's risk.

No representations or warranties, either express or implied, of merchantability, fitness for a specific purpose, the products to which the information mentions may be used without infringing the intellectual property rights of others, or of any other nature are made with respect to information or the product to which information mentions. In no case shall the information be considered a part of our terms and conditions of sale.

SEE Linkages Pvt. Ltd.'s policy of a continuous process of product improvement to effectively continue to meet the requirements of our users may cause changes in specifications and other information included in this printed matter without notice. All information, data in this printed matter have been carefully compiled and thoroughly checked. However, no responsibility for possible errors or omissions can be assumed. Since the manufacturer is unable to determine all applications in which these products may be placed, it is the user's responsibility to determine the suitability of this product for its intended use. This is especially true where safety is a factor. Incorrect application may result in damage or injury. For any assistance, please call +91 9904406566 or email at [covcare@seemail.in](mailto:covcare@seemail.in).